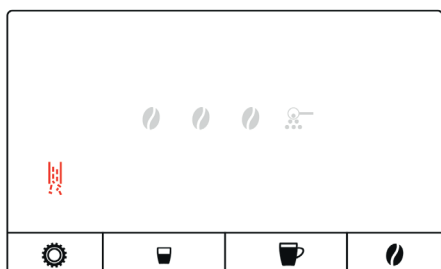


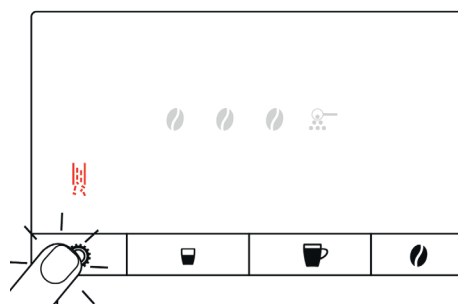
## Descaling the machine

⚠ These short operating instructions are not a replacement for the instructions for use. In the interests of safety, always read the safety information and warnings first.

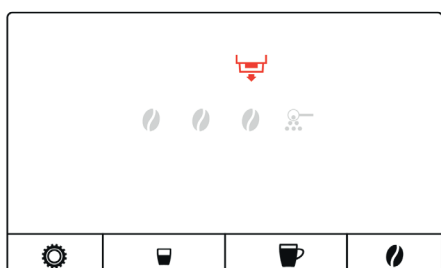
1 - "Descaling" symbol lights up



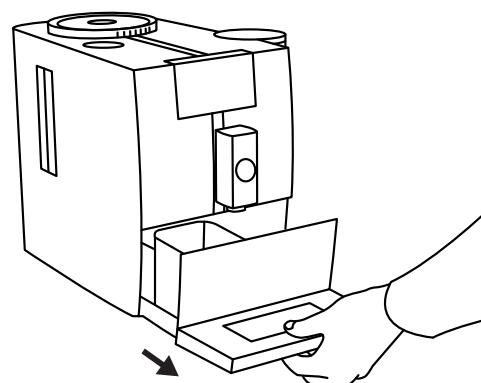
2 - Press the "Programming Mode" button for approx. 3 sec



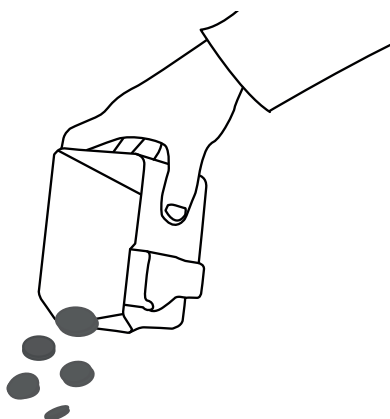
3 - "Drip tray" symbol lights up



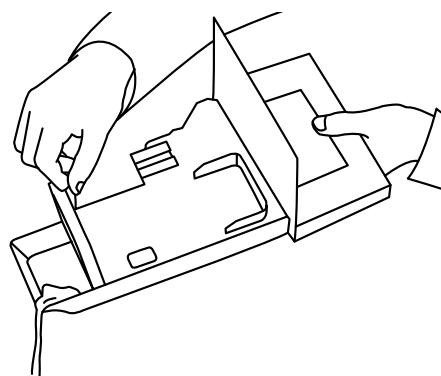
4 - Remove the drip tray



5 - Empty the coffee grounds container



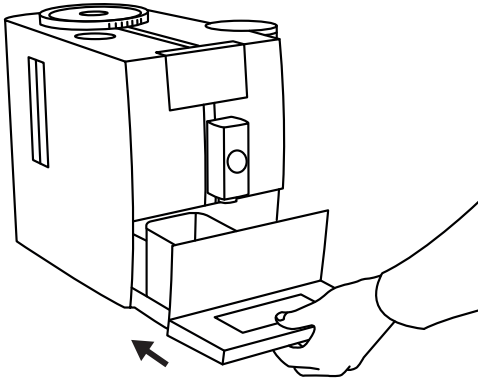
6 - Empty the drip tray



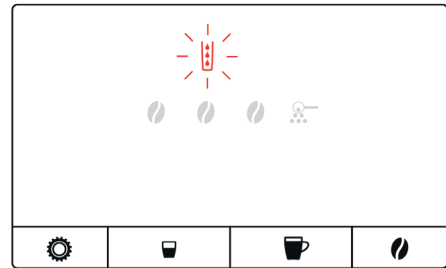
## Descaling the machine

⚠ These short operating instructions are not a replacement for the instructions for use. In the interests of safety, always read the safety information and warnings first.

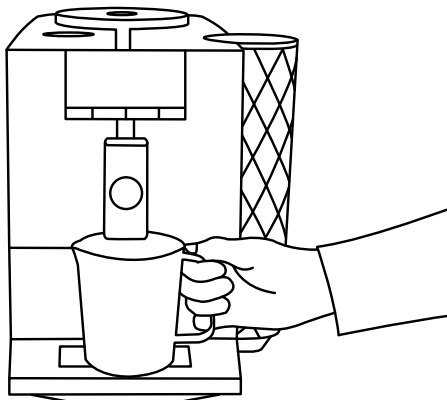
### 7 - Insert the drip tray



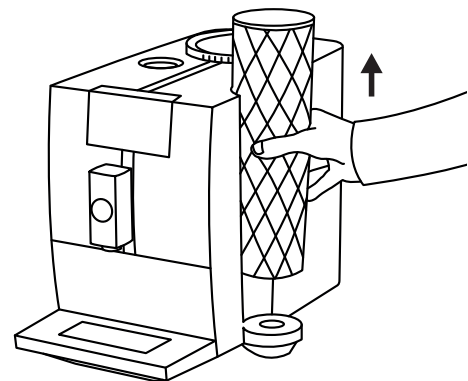
### 8 - "Water tank" symbol flashes



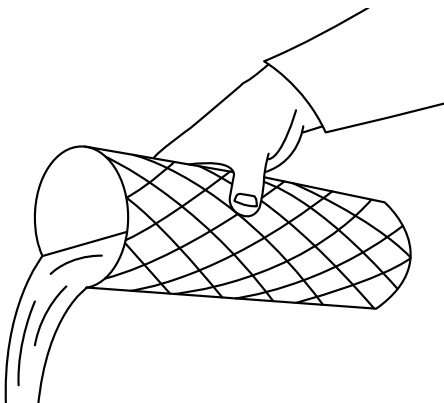
### 9 - Place the receptacle under the hot-water spout



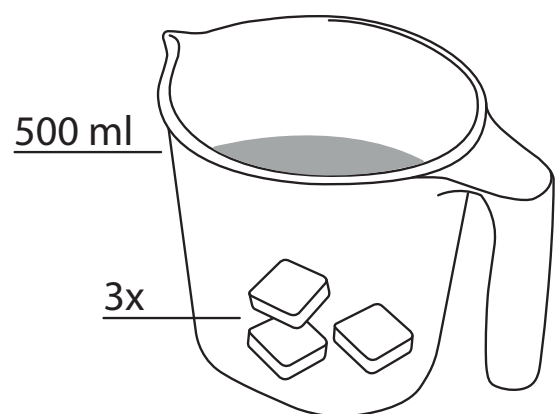
### 10 - Remove the water tank



### 11 - Empty water tank



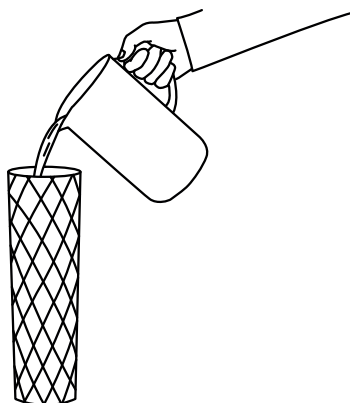
### 12 - Dissolve JURA descaling tablets



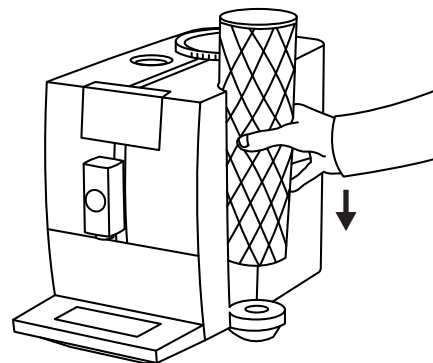
## Descaling the machine

⚠ These short operating instructions are not a replacement for the instructions for use. In the interests of safety, always read the safety information and warnings first.

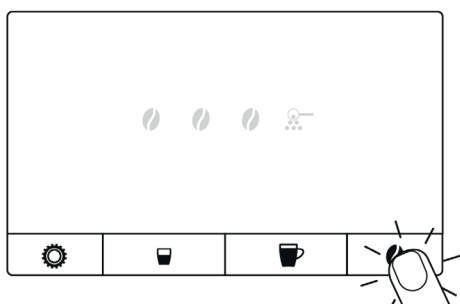
### 13 - Pour the solution into the water tank



### 14 - Insert the water tank



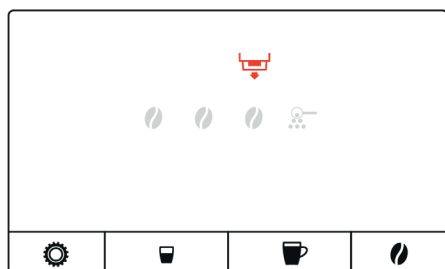
### 15 - Press the "Coffee strength" button



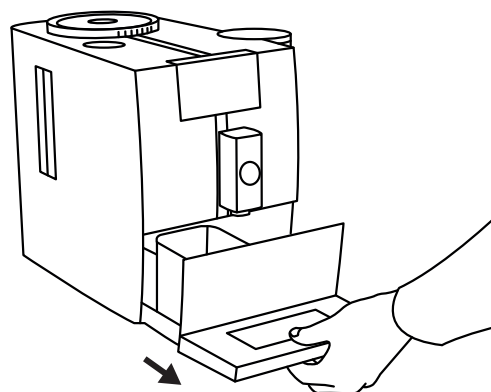
### 16 - Descaling in progress

Descaling in progress...

### 17 - "Drip tray" symbol lights up



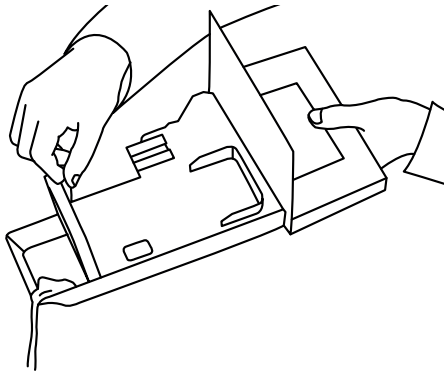
### 18 - Remove the drip tray



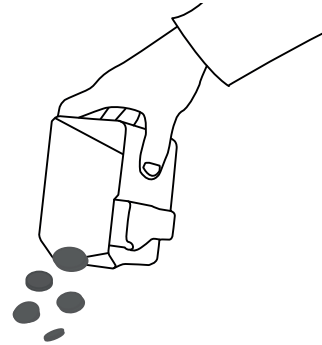
## Descaling the machine

⚠ These short operating instructions are not a replacement for the instructions for use. In the interests of safety, always read the safety information and warnings first.

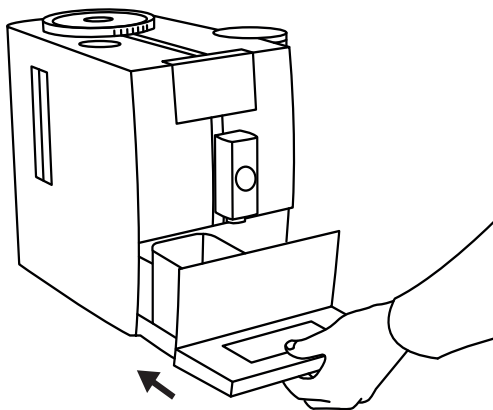
19 - Empty the drip tray



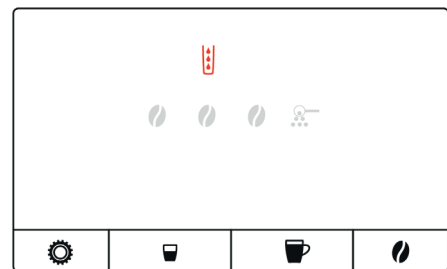
20 - Empty the coffee grounds container



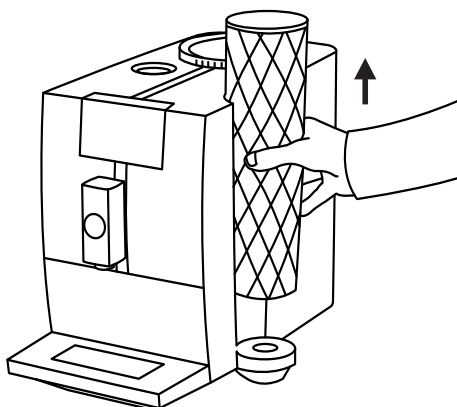
21 - Insert the drip tray



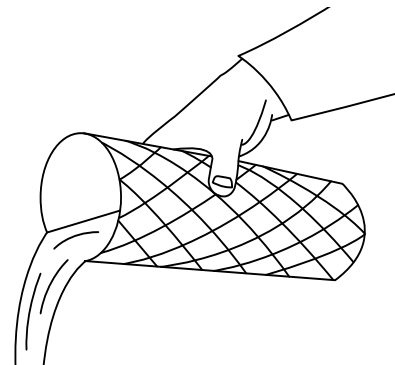
22 - "Water tank" symbol lights up



23 - Remove the water tank



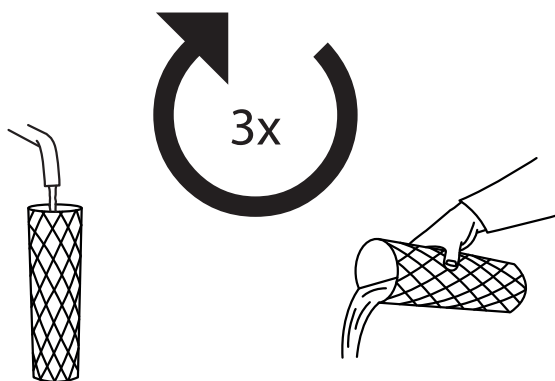
24 - Empty the water tank



## Descaling the machine

⚠ These short operating instructions are not a replacement for the instructions for use. In the interests of safety, always read the safety information and warnings first.

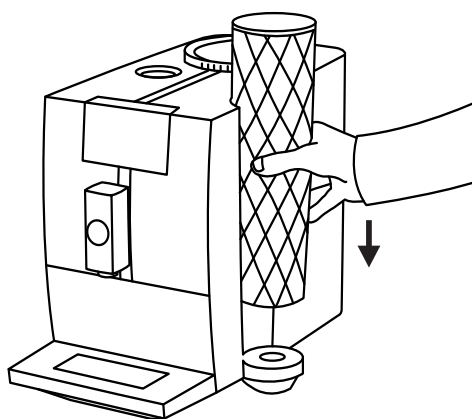
### 25 - Rinse out the water tank (fill and empty 3 times)



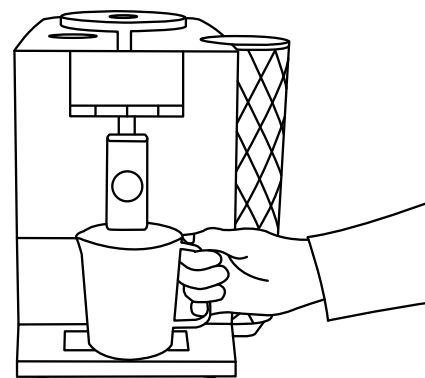
### 26 - Fill the water tank



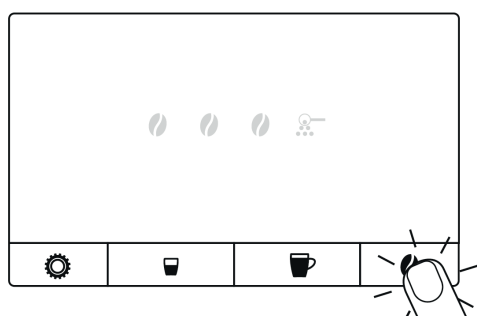
### 27 - Insert the water tank



### 28 - Place a receptacle under the hot-water spout



### 29 - Press the "Coffee strength" button



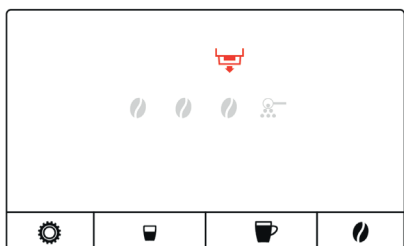
### 30 - Rinsing in progress

Rinsing in progress...

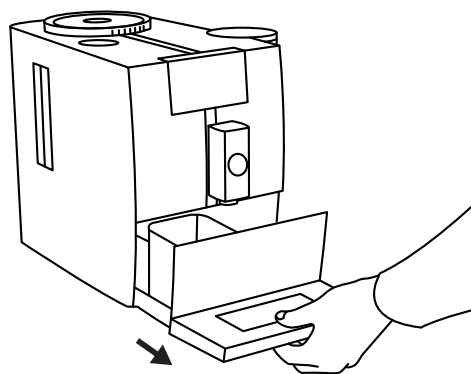
## Descaling the machine

⚠ These short operating instructions are not a replacement for the instructions for use. In the interests of safety, always read the safety information and warnings first.

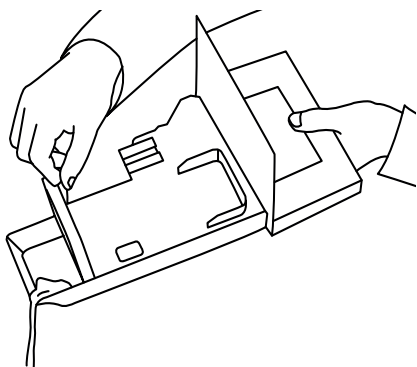
### 31 - "Drip tray" symbol lights up



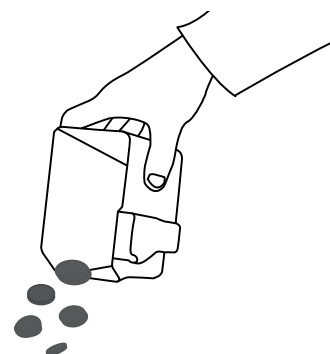
### 32 - Remove the drip tray



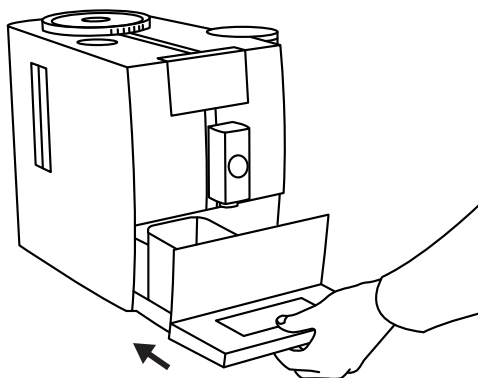
### 33 - Empty the drip tray



### 34 - Empty the coffee grounds container



### 35 - Insert the drip tray



### 36 - Symbols flash 3x

